

JAB 006 Serie



Features & Benefits

- Rated current: 50A/150/250A
- Nominal voltage:500V
- Water proof
- Metal housing
- Bayonet locking
- Shielding
- Solder termination
- Multi pole

006 Serie

1.0 Technical data

Contact

NO	Diameter mm	Current A	$m\Omega$	Soldering mm
1	∅2.5	25	≤1.5	∅2.5
2	∅3	50	≤1	∅3.3
3	∅3.5	50	≤1	∅4
4	∅4	60	≤1	∅4
5	∅5	75	≤0.7	∅6.3
6	∅6	100	≤0.7	∅6.3
7	∅7	100	≤0.5	∅7.3
8	∅9	150	≤0.4	∅8.5
9	∅12	250	≤0.3	∅10

Electric Data

Environment	Nominal voltage	Withstand voltage	MΩ
Norminal	500 v	1500 v	≥3000
Muggy	500 v	500 v	≥20
High temperature	250 v	—	≥50
Hypobaric 39KPa	300 v	375 v	—

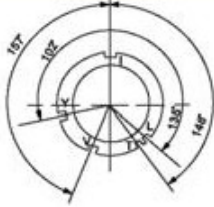
Cable

(mm ²)	(mm)	AWG/kcmil
0.08	0.33	28
0.15	0.41	26
0.25	0.51	24
0.38	0.64	22
0.50	0.81	20
1.00	1.02	18
1.33	1.30	16
2.09	1.63	14
3.33	2.06	12
5.27	2.59	10
8.30	3.25	8
13.30	4.11	6
21.10	5.18	4
33.50	6.53	2
53.60	8.26	0
67.50	9.27	00
85.00	10.4	000
107.2	11.68	0000
127.0	12.72	250
152.0	13.91	300
177.0	15.0	350
203	16.08	400
253	17.95	500
304	19.68	600

1.1 Keying

Key

NO	I	II	III	IV	V
Key	v	Y	I	L	T
Angle	157	102	0	135	146



1.2 Size & Contacts (★ is not standard product)

size	08			10		
poles	01★			01★		
contacts	Φ 3 × 1L			Φ 8 × 1L		
size	12					
poles	02	02a	03	03a	04	04a★
contacts	Φ 3 × 3H	Φ 2.5 × 2L	Φ 2.5 × 3	Φ 2.5 × 3L	Φ 2.5 × 4	Φ 2.39 × 3L
size	14					
poles	02	03	03a	03b	04	
contacts	Φ 3.5 × 2	Φ 3 × 3H	Φ 3 × 3L	Φ 3 × 3L	Φ 3 × 4	

size	16				
poles	01★	03	04	06	
contacts	Φ 9 × 1L	Φ 3.5 × 3	Φ 3.5 × 4	Φ 3 × 6	
size	18				
poles	01★	01L★	03	03a	03b
contacts	Φ 7 × 1L	Φ 15 × 1L	Φ 4 × 3	Φ 4 × 3L	Φ 4 × 3L
size	18		20		
poles	04	08	03	03a	04
contacts	Φ 4 × 4	Φ 2.5 × 8L	Φ 6 × 3L	Φ 6 × 3H	Φ 5 × 4
size	22				
poles	01L★	03	03a	04	
contacts	Φ 17 × 1L	Φ 6 × 3L	Φ 6 × 3H	Φ 6 × 4	
size	24	28 ★	32		
poles	04	04★	04	05	
contacts	Φ 7 × 4	Φ 6 × 4L	Φ 9 × 4H	Φ 7 × 5H	

size	32 ★		36 ★
poles	04a ★	05a ★	12 ★
contacts	Φ9 x 4L	Φ7 x 5L	Φ2.8 x 12L
size	D404		D404a ★ (外壳小)
	04		04a ★
contacts	Φ12 x 4H		Φ12 x 1 Φ10 x 3L

★ not standard product

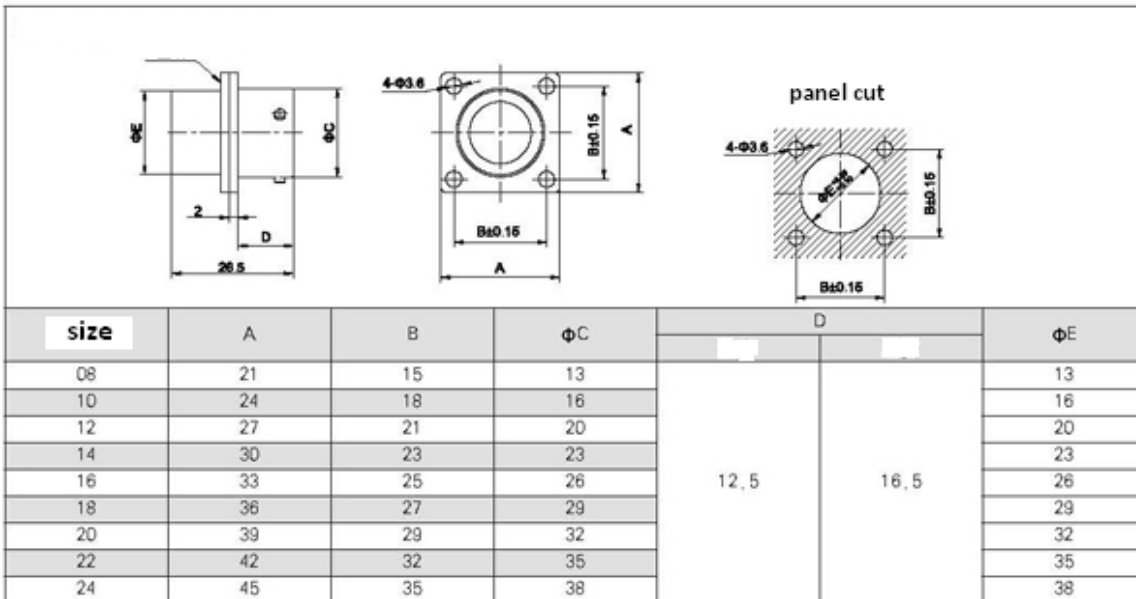
1.3.1 Plug

	size	ΦA	M
	08	20	M14 x 1
	10	23.5	M18 x 1
	12	27	M20 x 1
	14	30.5	M24 x 1
	16	34	M27 x 1
	18	36	M30 x 1
	20	39.5	M33 x 1.5
	22	43	M36 x 1.5
	24	46	M39 x 1
32	59	M51 x 1.5	

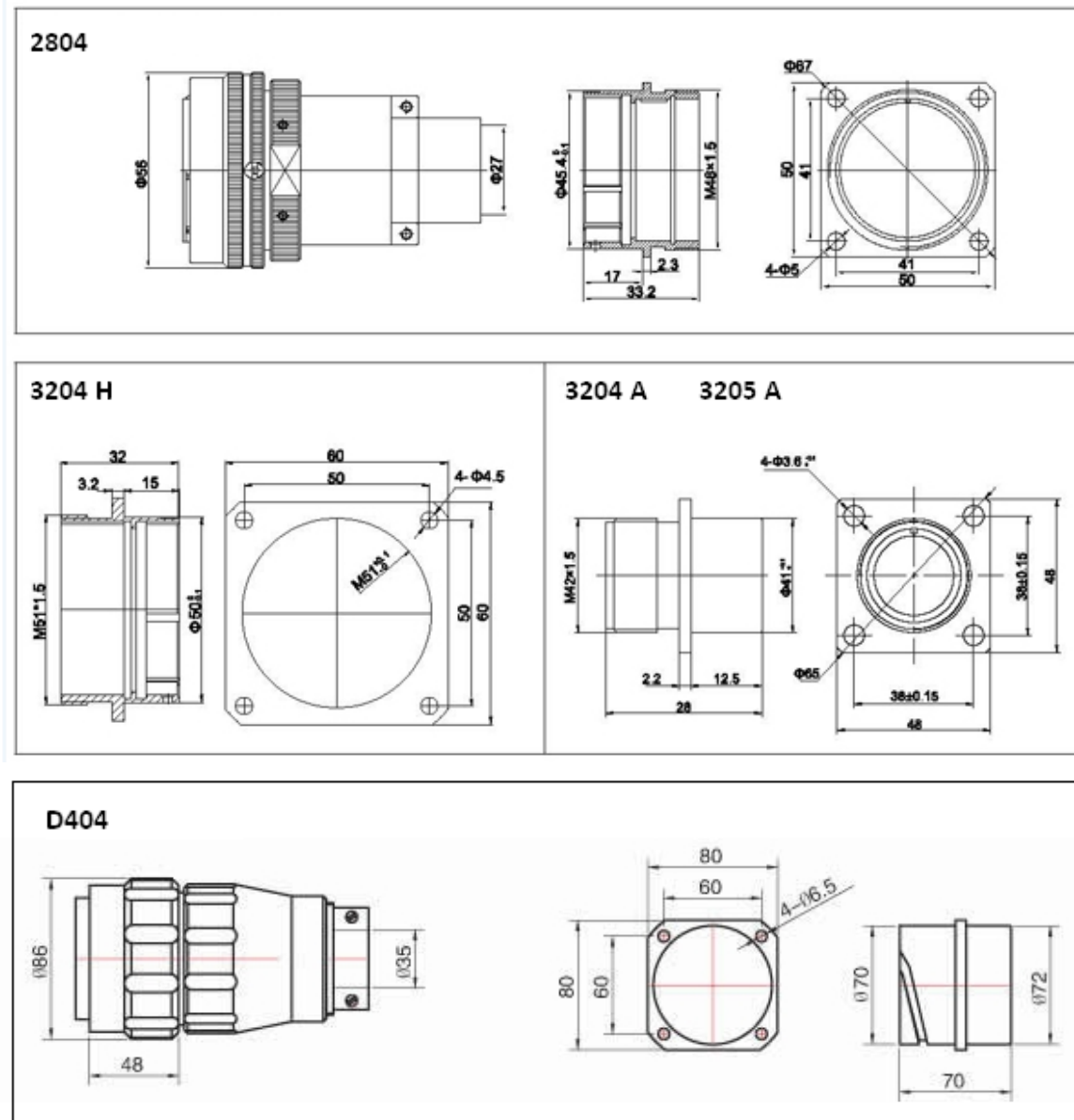
1.3.2 Cable clamp

	size	ΦA	L	ΦH
	08	18	25	5, 6, 7
	10	21	25	6, 7, 8, 10
	12	24	25	7, 8, 10, 11
	14	28	28	9, 10, 11, 12
	16	31	28	10, 12, 14, 16, 18
	18	33	32	12, 14, 17, 18, 20
	20	37	32	20, 22
	22	41	32	22, 24, 25
	24	44	32	25, 27, 29
32	59	45	40	

1.4.1 Receptacle



1.5 Other dimension



Special design

JAB-006-001-YD Series

Technical Data

Norminal current : 400A-800A

Poles: 4

Cable: up to 240 mm²



JAB-006-001-Y68 Series

Technical Data

Norminal current : 500A

Poles: 2

Withstand Voltage: 1500V

Norminal Voltage: 500V



JAB-006-001-GD Series

Technical Data

Norminal current : 100A

Poles: 25



JAB-006-001-XCD Series

Technical Data

Current rating: 400A

Poles: 4



Contact JAB

上海嘉铠电子科技有限公司

Shanghai JAB Electric Technology CO.,LTD

电话/Tel: +86-021-60753001

传真 Fax: +86-021-60753002

手机/Mobil: +86-13918762311

电邮/Email: zjp@jabsh.com

网站/Web: www.jabsh.com

即时通讯/Skype: joe.chow116

即时通讯 QQ: 438389296

地址/Address: 中国, 上海浦东, 金桥开发区, 浙桥路 277 号

No.277, Zheqiao Road, Pudong district, Shanghai, China