

# JAB 007 serie



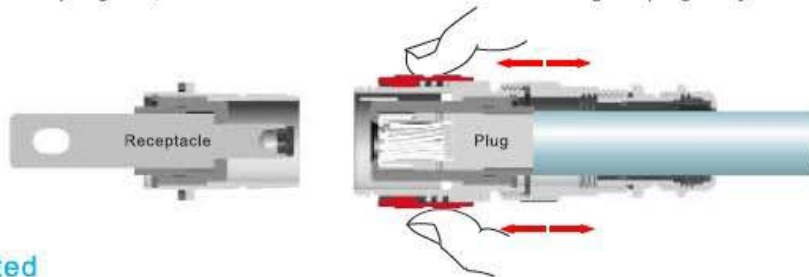
## Features & Benefits

- Rated current: 120A/200A/300A/400A
- Nominal voltage: 600V
- JAB 360° RADSOK contact technology
- Push pull quick lock
- Single pole
- Metal housing
- IP67 waterproof
- Shielding
- Multicolor
- Multi keying design
- Mate cycles: >20,000

## Push pull quick lock system

### ■ How Does it work?

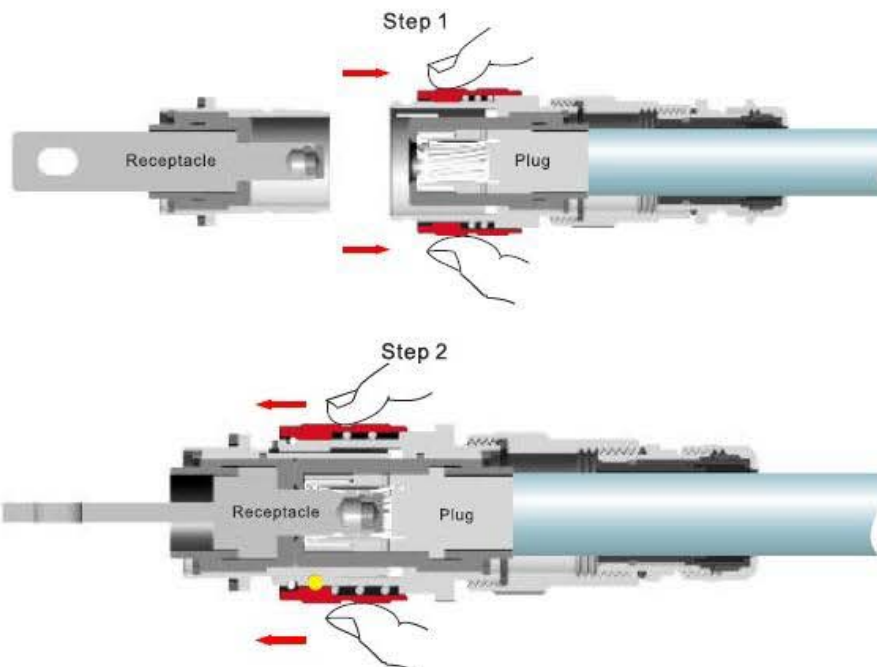
The plug has a coupling nut ,which slides froward and backwards along the plug body



### ■ When Mated

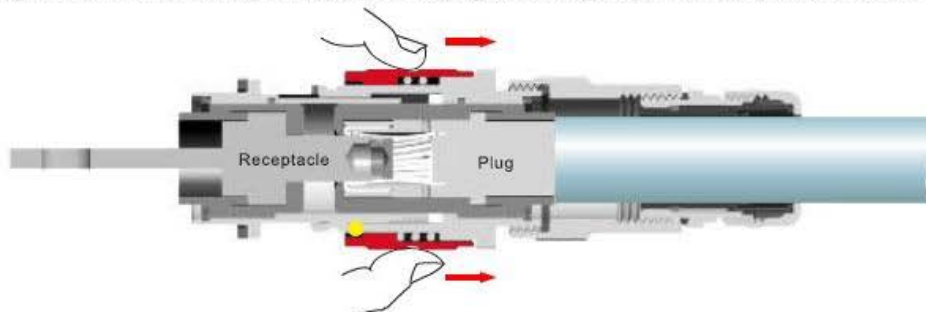
Step 1: pull back on the plug's coupling ring about 5 mm

Step 2: Align the single keyway on the plug to the key on the receptacle and push the halves together to create a locked

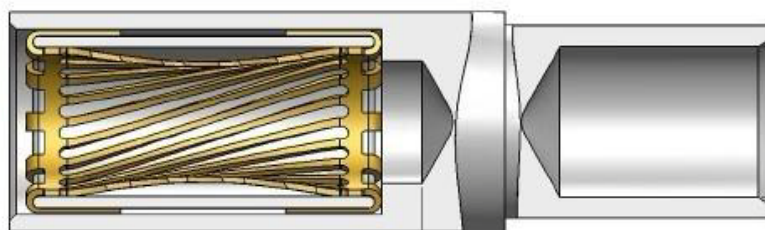
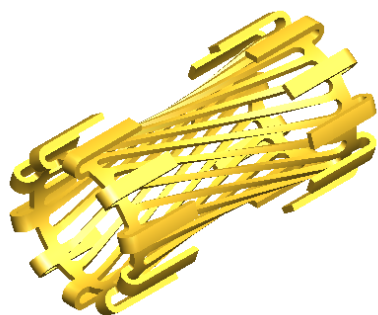


### ■ When Unplugging

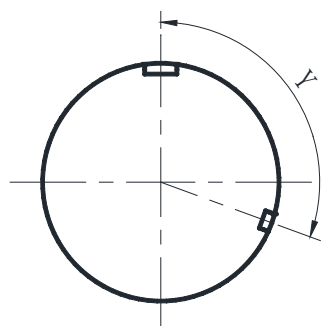
To disengage the connector simply pull back on the plug's coupling ring ,separating the connector ring



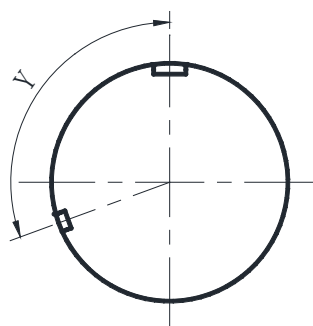
## JAB 360° RADSOK multi contact technology



### Key and color



Receptacle (From front)



Plug (From front)

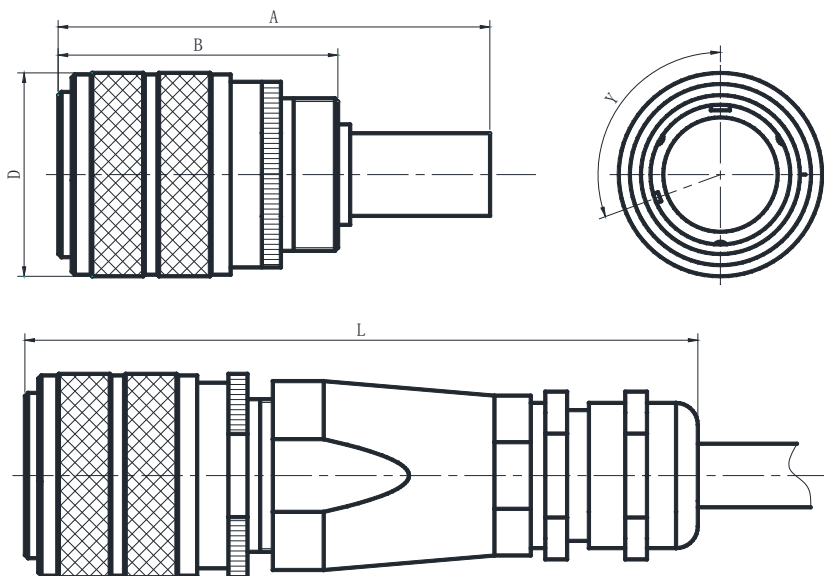
Key	Angle Y	Color
1	110°	red
2	135°	slivery
3	160°	black
4	200°	blue
5	240°	green

## 007-120A series

### 1.0 Benefits & feature

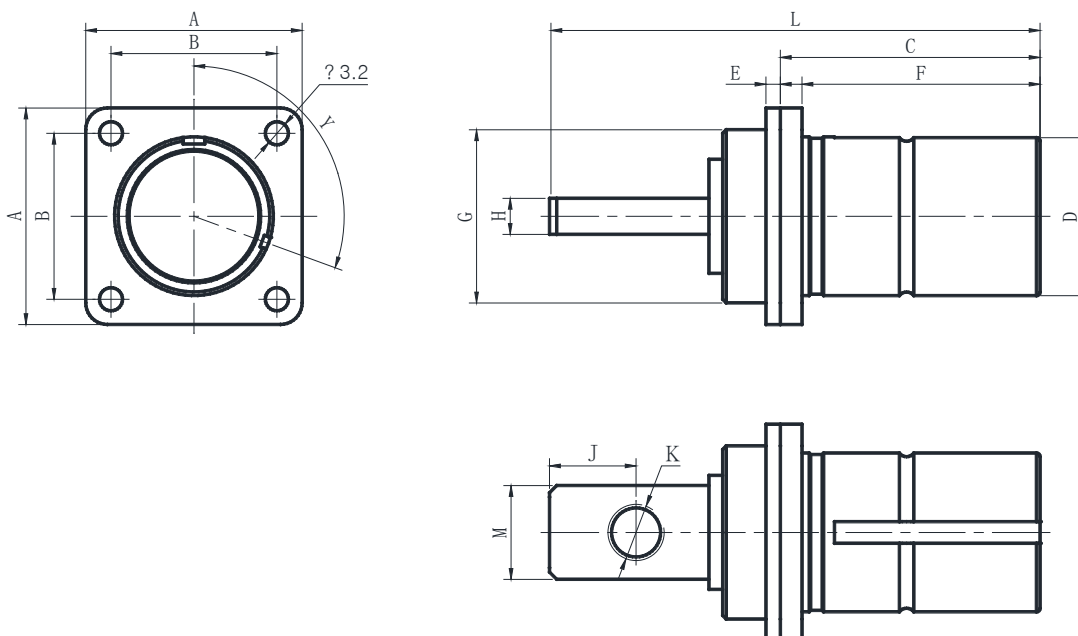
- Rated current :120A
- Norminal voltage: 600V
- Cable cross section area: 16mm<sup>2</sup> 、 25mm<sup>2</sup>

### 1.1 Straight plug/crimp terminal



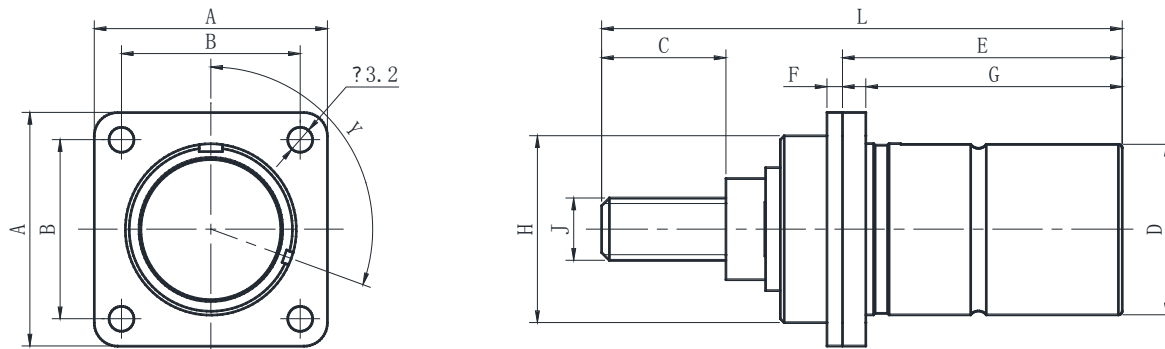
A	B	L	D
60	30	90	∅ 26

### 1.2.1 Straight receptacle /Threaded hole connection



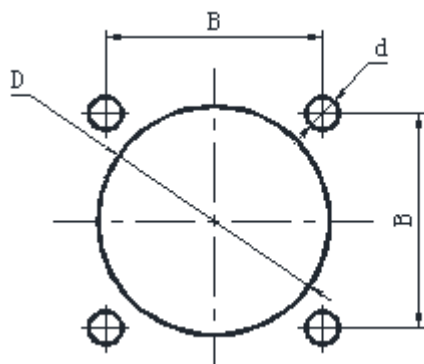
L	A	B	C	D	E	F	G	H	J	K	M
57	26	20	30	∅ 18	2	27	∅ 20	4	8	M6	9.5

## 1.2.2 Straight receptacle /Screw connection



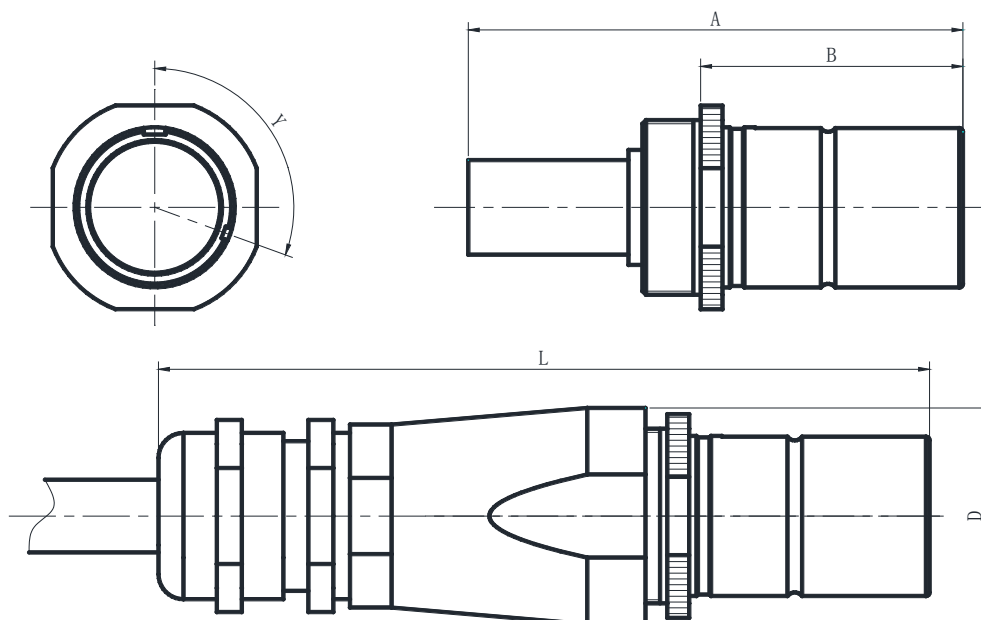
L	A	B	C	D	E	F	G	H	J
55	26	20	13	∅ 18	30	2	27	∅ 20	M6

Panel cut of 1.2.1 & 1.2.2



B <sup>∅</sup>	D <sup>∅</sup>	d <sup>∅</sup>
20 <sup>∅</sup>	∅ 20.5 <sup>∅</sup>	∅ 3.5 <sup>∅</sup>

## 1.2.3 Straight receptacle in line/Crimp terminal



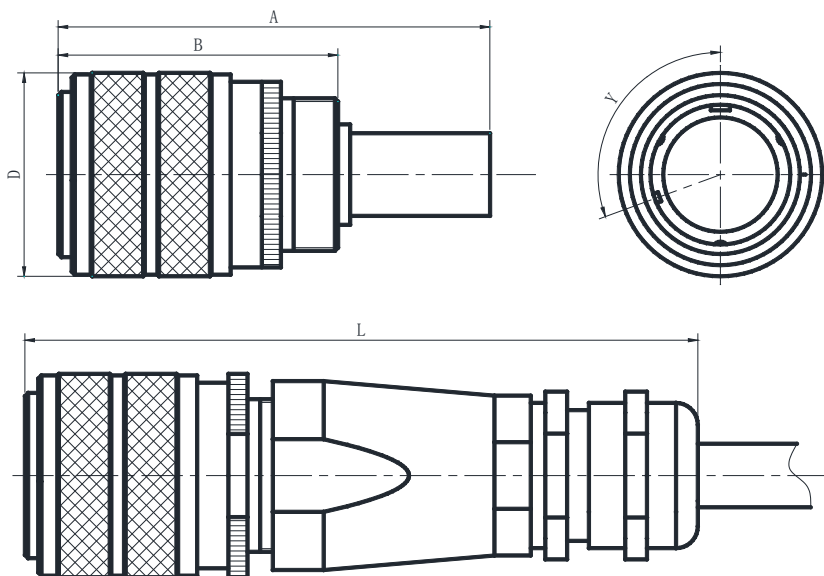
A	B	L	D
60	30	90	∅ 26

## 007-200A series

### 2.0 Benefits & feature

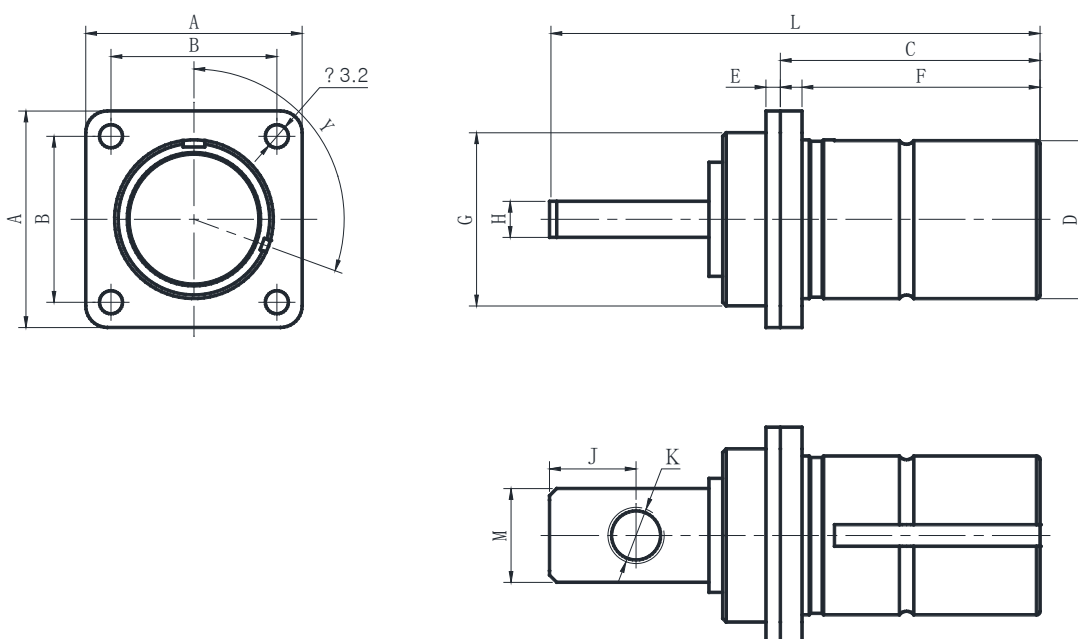
- Rated current :200A
- Norminal voltage: 600V
- Cable cross section area:35mm<sup>2</sup>、50mm<sup>2</sup>

### 2.1 Straight plug/crimp terminal



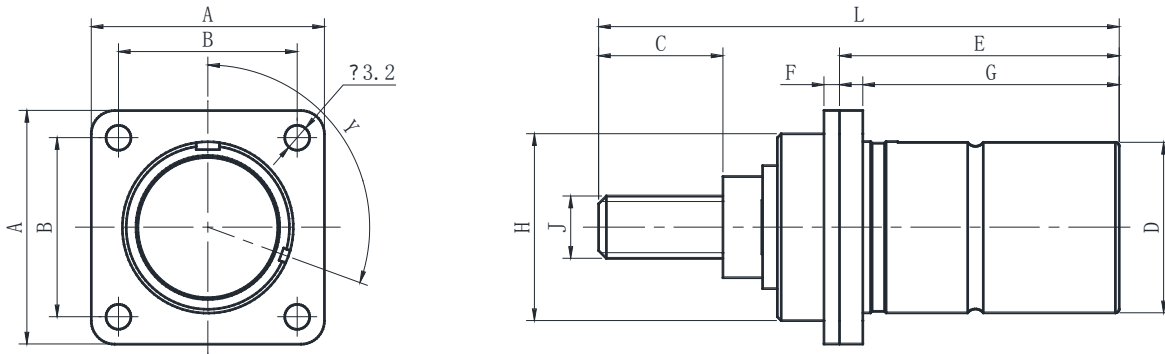
A	B	L	D
70	35	105	∅ 32

### 2.2.1 Straight receptacle /Threaded hole connection



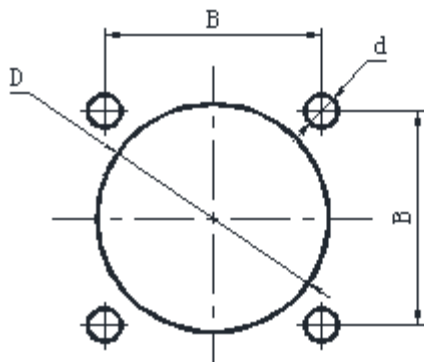
L	A	B	C	D	E	F	G	H	J	K	M
68	30	23	36	∅ 22	2	33	∅ 24	5	12	M8	13

## 2.2.2 Straight receptacle /Screw connection



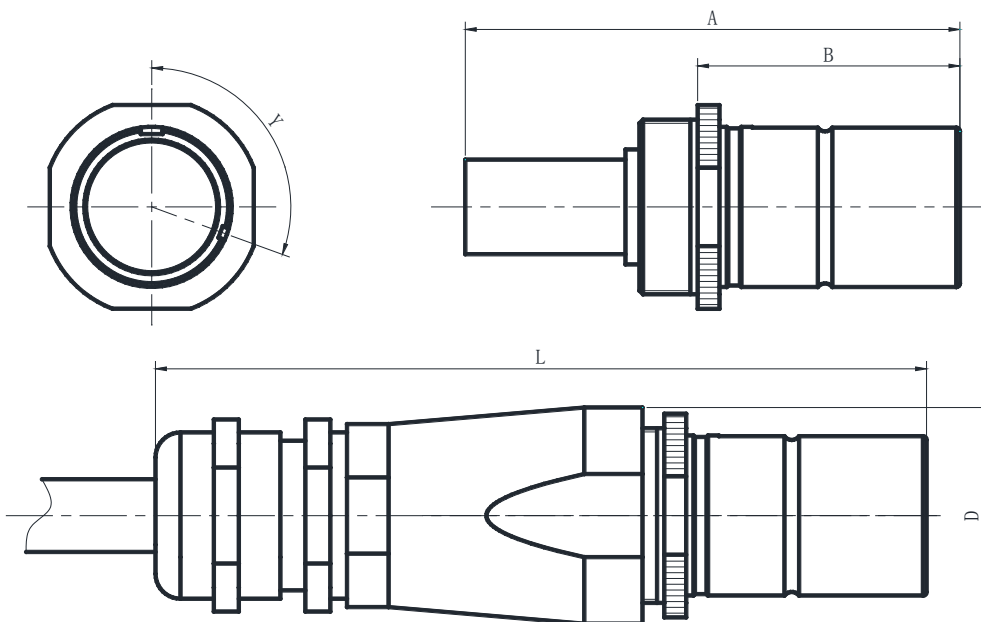
L	A	B	C	D	E	F	G	H	J
65	30	23	15	∅ 22	36	2	33	∅ 24	M8

Panel cut of 2.2.1 & 2.2.2



B <sup>∅</sup>	D <sup>∅</sup>	d <sup>∅</sup>
23 <sup>∅</sup>	∅ 24.5 <sup>∅</sup>	∅ 3.5 <sup>∅</sup>

## 2.2.3 Straight receptacle in line/Crimp terminal



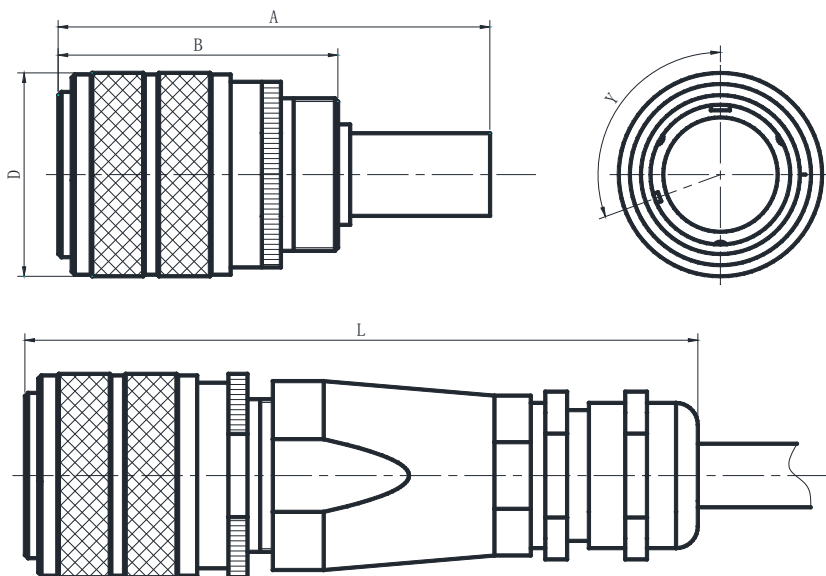
A	B	L	D
70	36	105	∅ 32

## 007-300A series

### 3.0 Benefits & feature

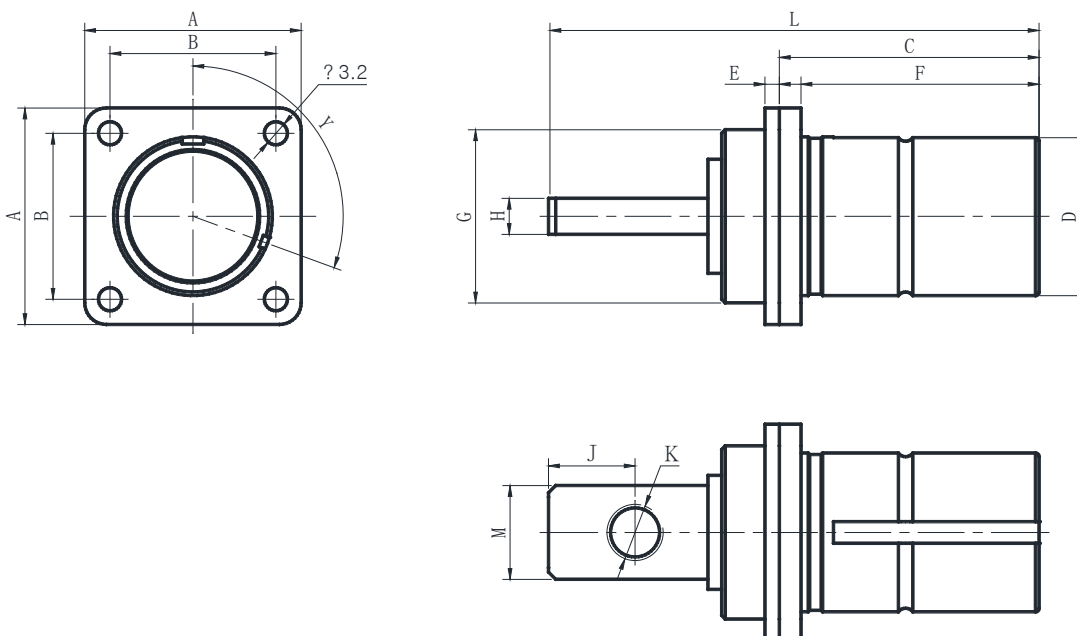
- Rated current :300A
- Norminal voltage: 600V
- Cable cross section area: 70mm<sup>2</sup> 、 95mm<sup>2</sup>

### 3.1 Straight plug/crimp terminal



A	B	L	D
80	40	120	∅ 38

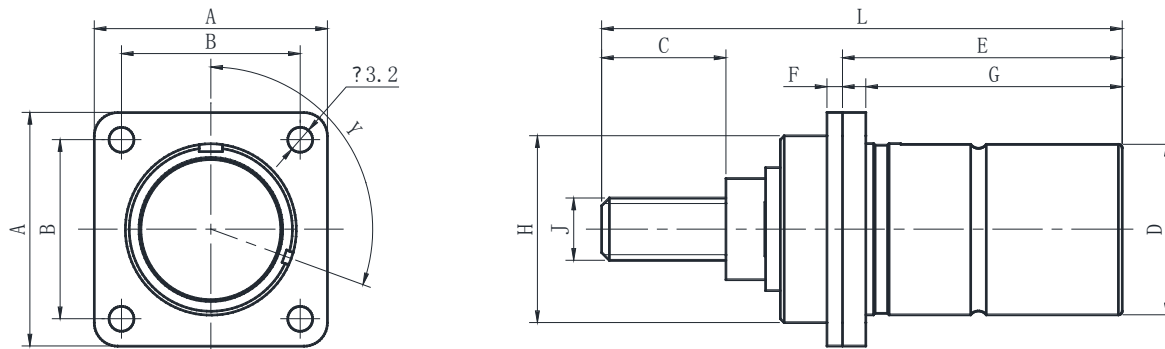
### 3.2.1 Straight receptacle /Threaded hole connection



L	A	B	C	D	E	F	G	H	J	K	M
80	35	27	41	∅ 28	2	38	∅ 30	6	14	M10	16

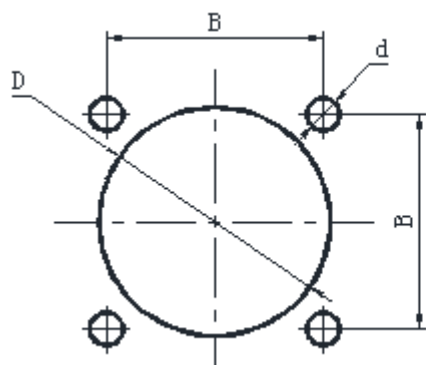


## 3.2.2 Straight receptacle /Screw connection



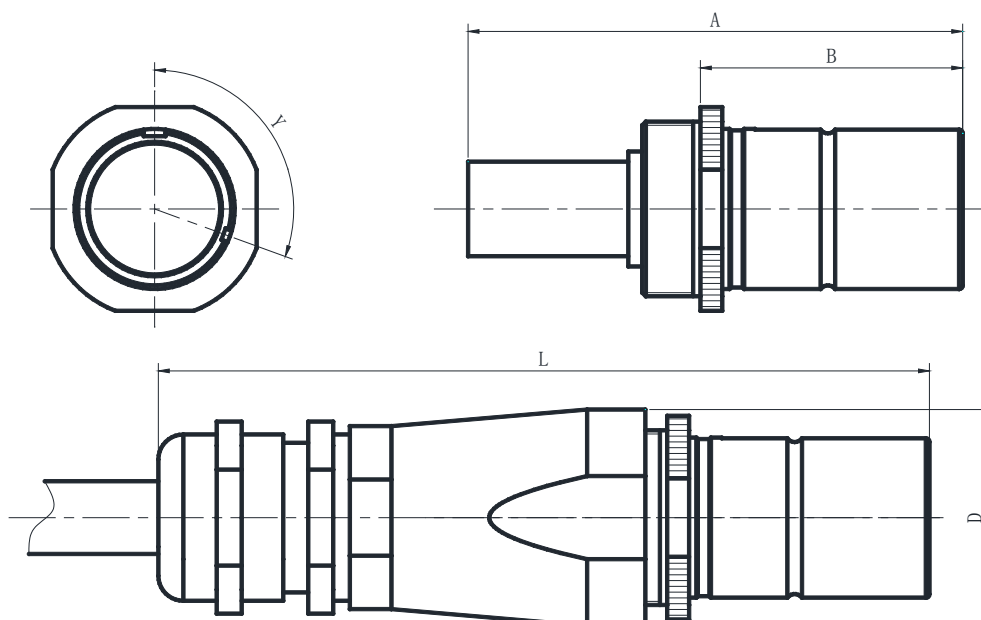
L	A	B	C	D	E	F	G	H	J
75	35	27	20	∅ 28	41	2	38	∅ 30	M10

Panel cut of 3.2.1 & 3.2.2



B <sup>∅</sup>	D <sup>∅</sup>	d <sup>∅</sup>
27 <sup>∅</sup>	∅ 30.5 <sup>∅</sup>	∅ 3.5 <sup>∅</sup>

## 3.2.3 Straight receptacle in line/Crimp terminal



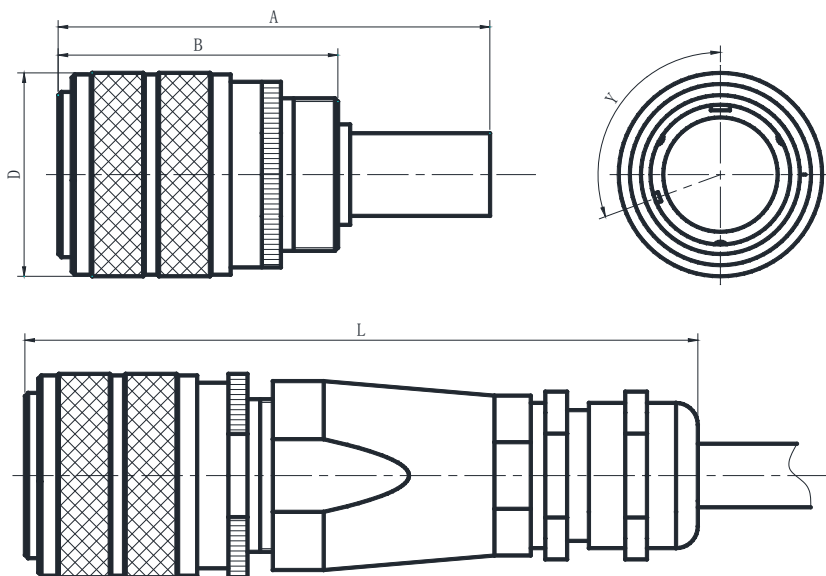
A	B	L	D
80	41	120	∅ 38

## 007-400A series

### 4.0 Benefits & feature

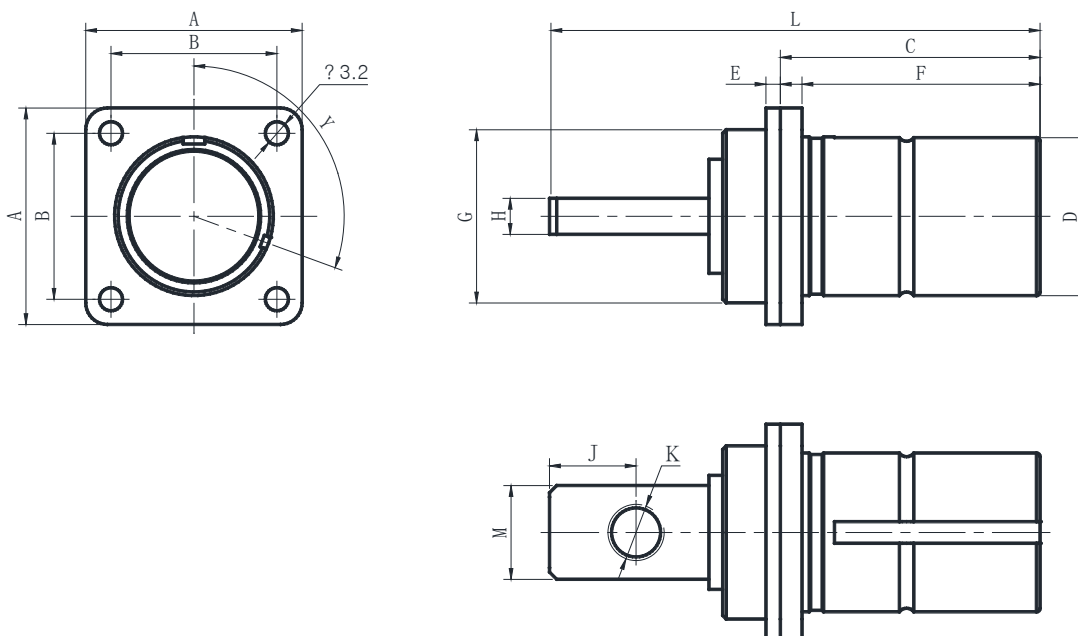
- Rated current :400A
- Norminal voltage: 600V
- Cable cross section area: 95mm<sup>2</sup> 、 120mm<sup>2</sup>

### 4.1 Straight plug/crimp terminal



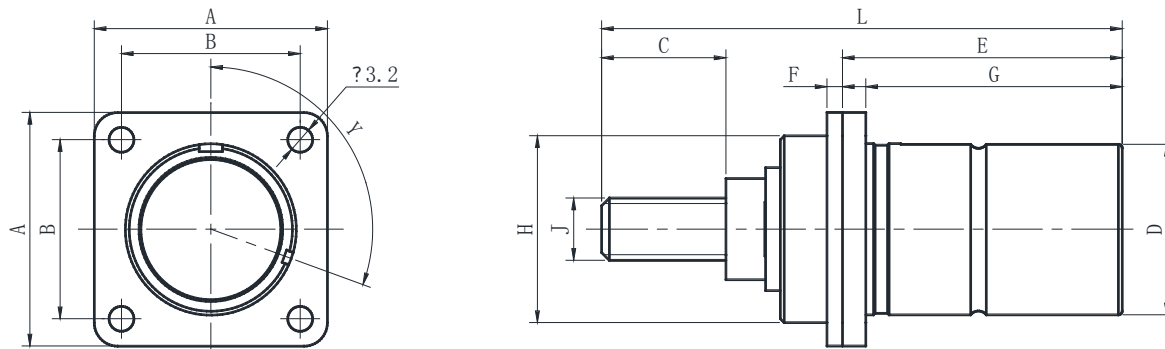
A	B	L	D
80	40	120	∅ 38

### 4.2.1 Straight receptacle /Threaded hole connection



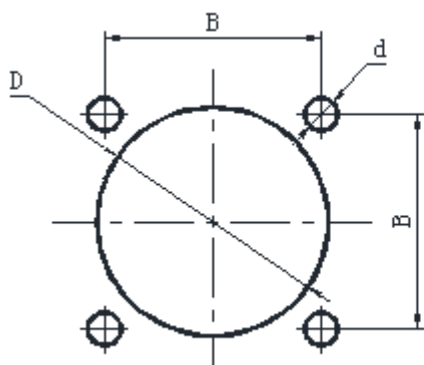
L	A	B	C	D	E	F	G	H	J	K	M
80	35	27	41	∅ 28	2	38	∅ 30	6	14	M10	16

## 4.2.2 Straight receptacle /Screw connection



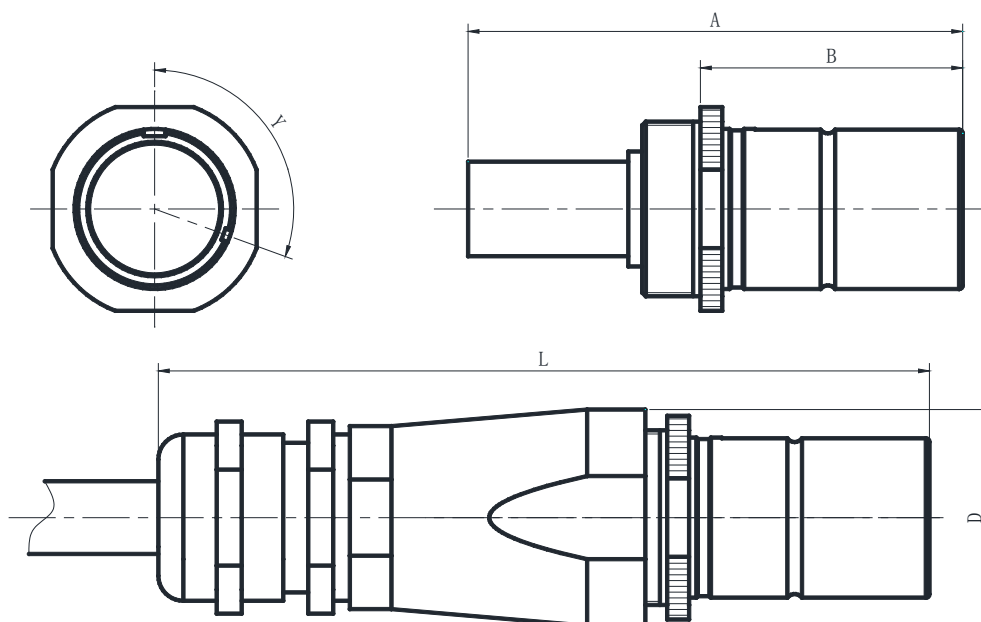
L	A	B	C	D	E	F	G	H	J
75	35	27	20	∅ 28	41	2	38	∅ 30	M10

Panel cut of 4.2.1 & 4.2.2



B <sup>∅</sup>	D <sup>∅</sup>	d <sup>∅</sup>
27 <sup>∅</sup>	∅ 30.5 <sup>∅</sup>	∅ 3.5 <sup>∅</sup>

## 4.2.3 Straight receptacle in line/Crimp terminal



A	B	L	D
80	41	120	∅ 38

## Application



## Contact JAB

上海嘉铠电子科技有限公司  
Shanghai JAB Electric Technology CO.,LTD

电话/Tel: +86-021-60753001  
传真 Fax: +86-021-60753002  
手机/Mobil: +86-13918762311  
电邮/Email: [zjp@jabsh.com](mailto:zjp@jabsh.com)  
网站/Web: [www.jabsh.com](http://www.jabsh.com)  
即时通讯/Skype: joe.chow116  
即时通讯 QQ: 438389296  
地址/Address: 中国, 上海浦东, 金桥开发区, 浙桥路 277 号  
No.277, Zheqiao Road, Pudong district, Shanghai, China