

# JAB 002 系列 快速插头插座

## JAB 002 Series Power Connectors



### Features & Benefits / 技术参数

- Rated current / 额定电流: 600A
- Nominal voltage / 额定电压: 1000V
- JAB 360° twisted strip technology / JAB 360° 接触技术
- Bayonet quick lock / 卡栓式快速锁定结构
- Single pole / 单极
- Plastic housing / 塑料外壳
- IP67 waterproof in mated condition / IP67 防水等级
- Multi color marking / 颜色区分
- IP2X touchproof / IP2X 防触摸保护
- Mate cycles / 使用寿命: >20,000
- Certification/产品认证: CE/IEC

## Bayonet locking system / 卡栓式快速锁定结构



### Plugging procedure / 锁定：

The markings on the plug and socket have to be lined up. Insert plug in with socket to the stop then insert further with axial pressure and turn simultaneously to the right (seen from the plug in the direction of insertion) until the bayonet lock engages.

对准插头和插座上的颜色标识，将插头插入插座，然后用力顶住插头转动90度，插头会自动回弹卡住

### Unplugging procedure / 解锁：

Push plug in further and turn simultaneously to left (seen from the plug in the direction of insertion) until the markings are lined up. Pull plug out of socket.

用力顶住插头，回转90度，插头和插座上的颜色标识对齐，就可以把插头拔出

## JAB 360° twisted strip multi contact technology

### JAB 360° 表带式接触技术



### Feature and benefits of JAB 360° multi contact technology

#### JAB 360° 表带式接触技术优点

- 1) Very high contact reliability / 稳定的接触
- 2) Low contact resistance / 低接触电阻
- 3) High current load / 过载电流能力高
- 4) Low temperature rise / 低温升
- 5) Excellent performance under vibration / 抗震动
- 6) Low insertion and withdrawal force / 低插拔力
- 7) High number of mating cycle / 高插拔次数
- 8) Long service life / 长使用寿命

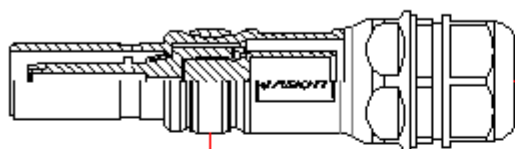
## 002-600A 系列

### 1.1 Benefits & feature / 技术参数

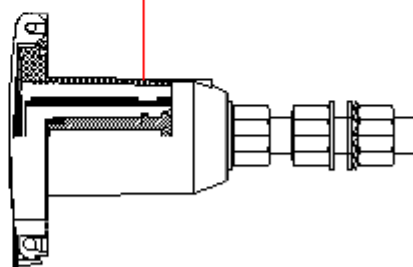
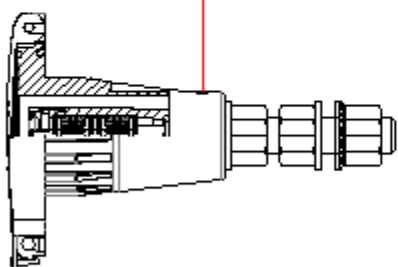
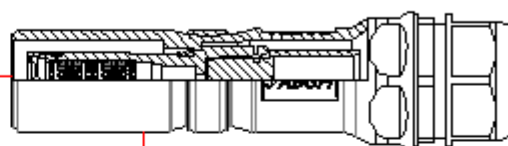
- Rated current / 额定电流: 600A
- Norminal voltage / 额定电压: 1000V
- Cable cross section area / 电缆横截面积: 50-70 mm<sup>2</sup>, 95-120 mm<sup>2</sup>, 150mm<sup>2</sup>、185mm<sup>2</sup>、240mm<sup>2</sup>

### 1.2 Mating / 配合类型

straight plug (pin)  
直插头 (针)



receptacle in line (socket)  
电缆浮动对接插座 (孔)



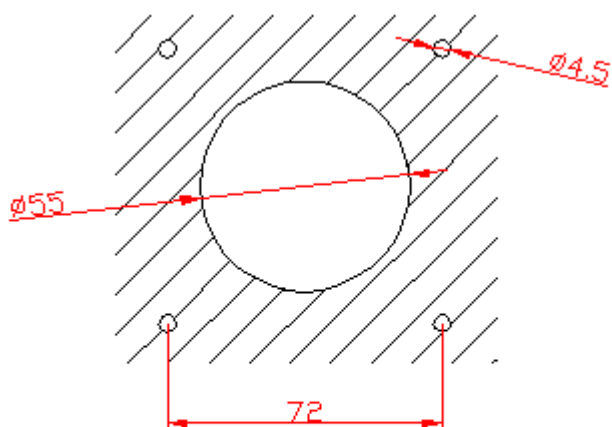
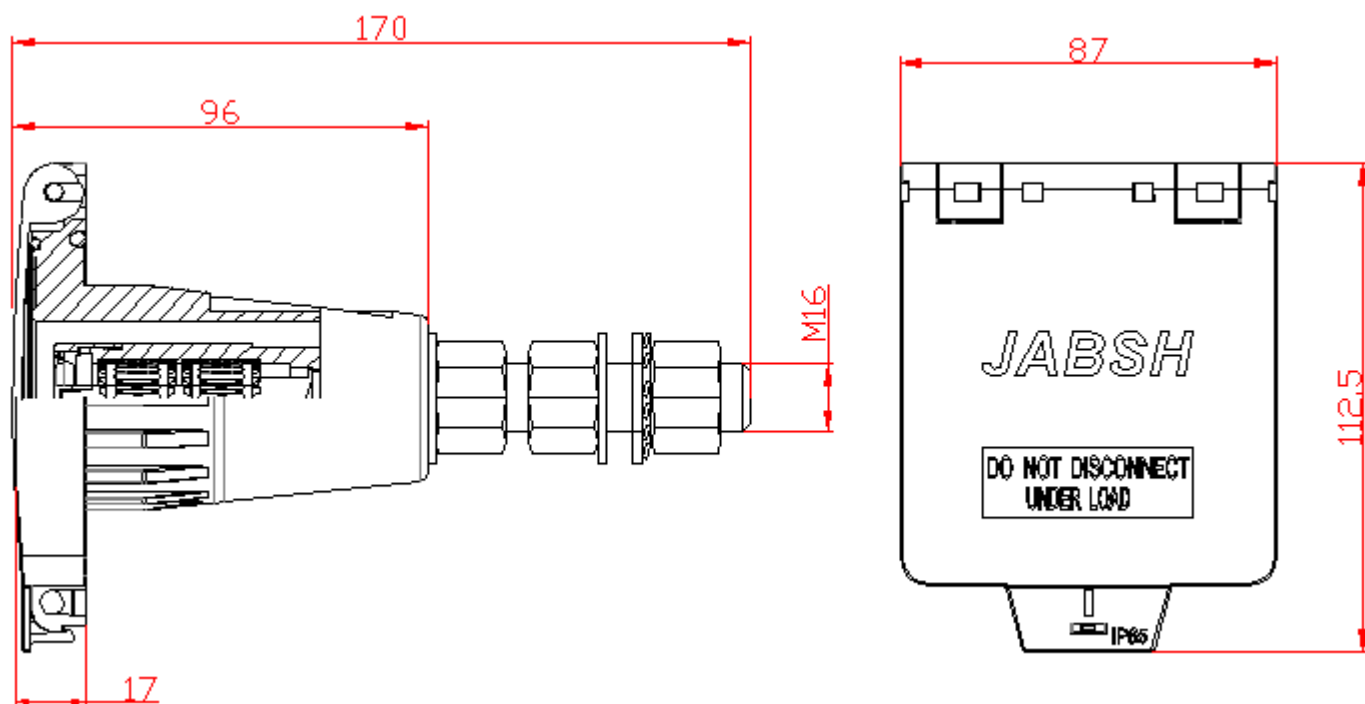
panel receptacle (socket)  
面板插座 (孔)

panel receptacle (pin)  
面板插座 (针)

- 1) Straight plug (pin) / 直插头 (针) **mate 配合** Panel receptacle (socket) / 面板插座 (孔)
- 2) Straight plug (pin) / 直插头 (针) **mate 配合** Receptacle in line (socket) / 电缆浮动对接插座 (孔)
- 3) Receptacle in line (socket) / 电缆浮动对接插座 (孔) **mate 配合** Panel receptacle (pin) / 面板插座 (针)

## 2.1 Panel receptacle (socket) / 面板插座 (孔)

P/N 订货号: JAB-002-600-M16-1RX ( X: 颜色)

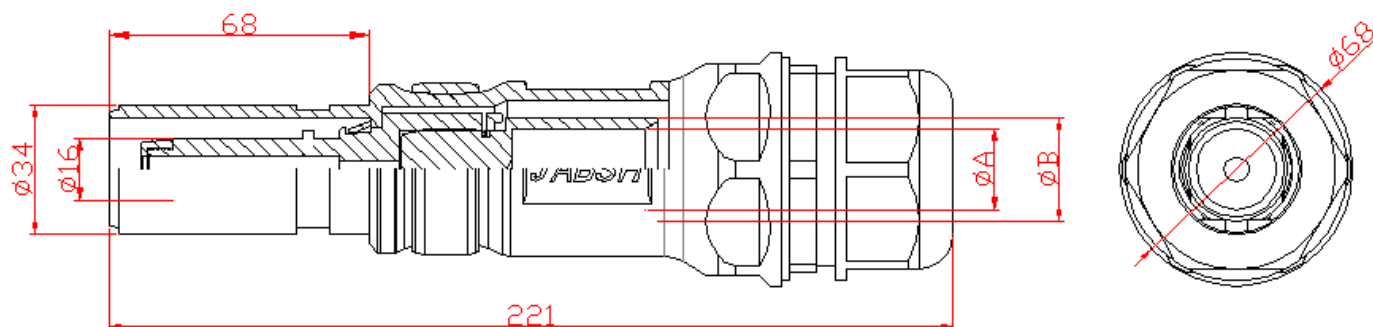


面板开孔尺寸  
drilling plan



## 2.2.1 Straight plug (pin) / 直插头 (针)

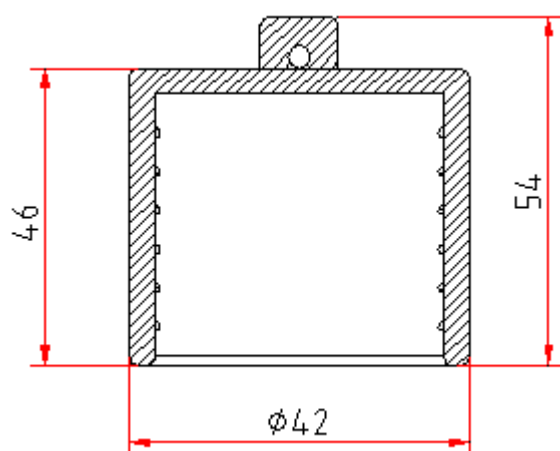
P/N 订货号: JAB-002-600-XXX-1PX (XXX: 电缆横截面积 (mm<sup>2</sup>) / X: 颜色)



| 导体截面积(mm <sup>2</sup> )<br>Conductor cross section (mm <sup>2</sup> ) | 压接套内径ΦA (mm)<br>Dimensions ΦA(mm) | 压接套外径ΦB (mm)<br>Dimensions ΦB(mm) | 颜色标记<br>coloured marking |
|---|-----------------------------------|-----------------------------------|--------------------------|
| 50~70mm <sup>2</sup>  | 12.5                              | 17.5                              |                          |
| 95~120mm <sup>2</sup>   | 16.0                              | 21.0                              |                          |
| 150mm <sup>2</sup>  | 18.0                              | 23.0                              |                          |
| 150mm <sup>2</sup>  | 19.0                              | 25.0                              |                          |
| 185mm <sup>2</sup>  | 21.0                              | 27.0                              |                          |
| 240mm <sup>2</sup>  | 24.0                              | 30.0                              |                          |

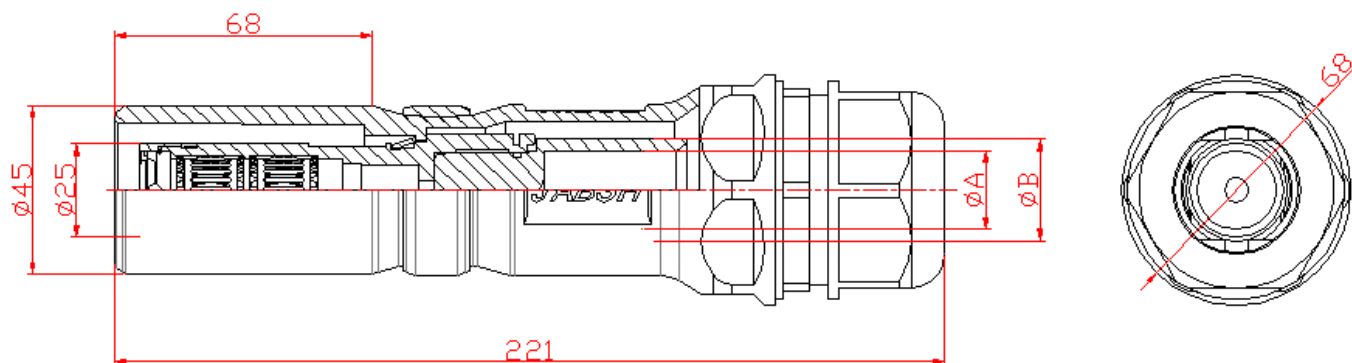
## 2.2.2 Water proof cover / 插头防水帽

P/N 订货号: 002-600-PC



## 2.3.1 Receptacle in line (socket) / 电缆浮动对接插座 (孔)

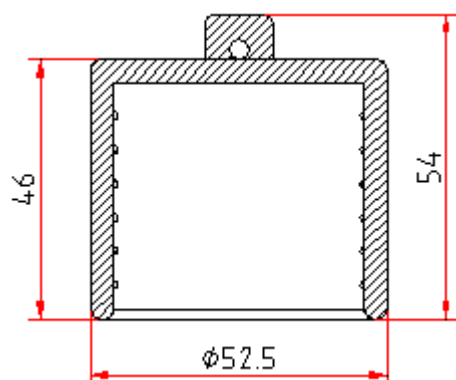
P/N 订货号: JAB-002-600-XXX-2RX (XXX: 电缆横截面积 (mm<sup>2</sup>) / X: 颜色)



| 导体截面积(mm <sup>2</sup> )<br>Conductor cross section (mm <sup>2</sup> ) | 压接套内径ΦA ( mm )<br>DimensionsΦA(mm) | 压接套外径ΦB ( mm )<br>Dimensions ΦB(mm) | 颜色标记<br>coloured marking |
|---|------------------------------------|-------------------------------------|--------------------------|
| 50~70mm <sup>2</sup>  | 12.5                               | 17.5                                |                          |
| 95~120mm <sup>2</sup>   | 16.0                               | 21.0                                |                          |
| 150mm <sup>2</sup>  | 18.0                               | 23.0                                |                          |
| 150mm <sup>2</sup>  | 19.0                               | 25.0                                |                          |
| 185mm <sup>2</sup>  | 21.0                               | 27.0                                |                          |
| 240mm <sup>2</sup>  | 24.0                               | 30.0                                |                          |

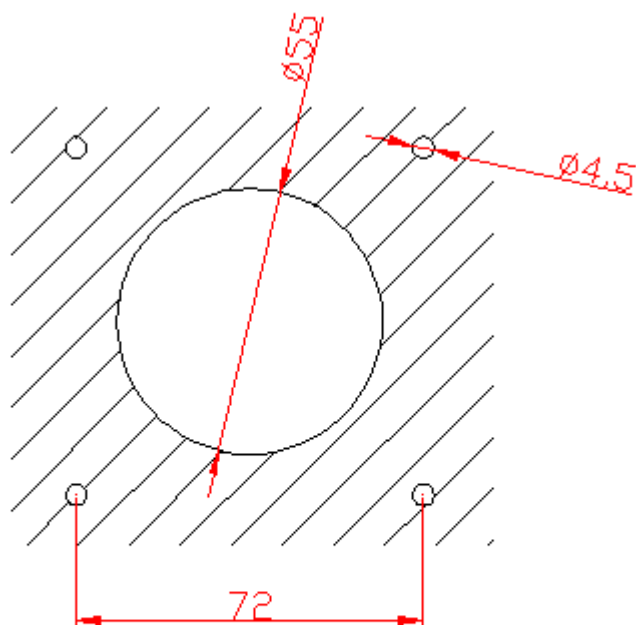
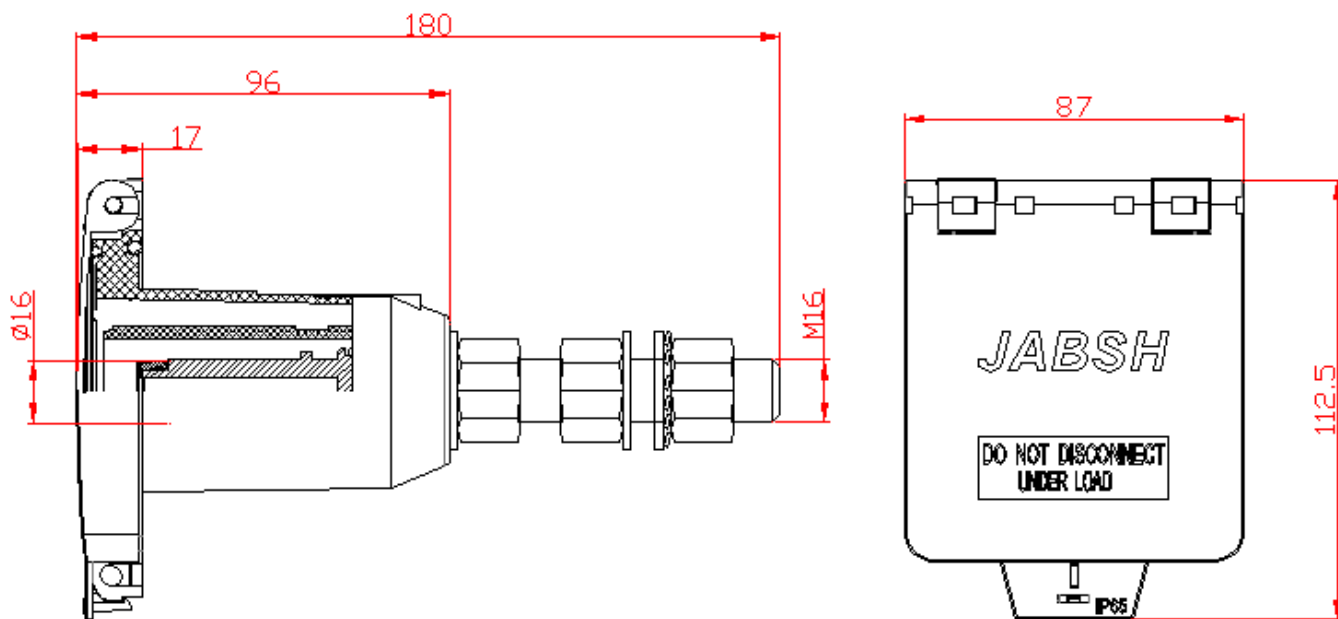
## 2.3.2 Water proof cover / 浮动对接插座防水帽

P/N 订货号: 002-600-RC



## 2.4 Panel receptacle(pin) / 面板插座（针）

P/N 订货号: JAB-002-600-M16-3RX ( X: 颜色)



面板开孔尺寸  
drilling plan





Application / 应用：电源，测试，发电车，应急电源车，配电柜，电力分配等





## Contact JAB / 联系我们

上海嘉铠电子科技有限公司

Shanghai JAB Electric Technology CO.,LTD

电话/Tel: +86-021-2096 5365

传真 Fax: +86-021-5807 2398

手机/Mobil: +86-13918762311

电邮/Email: [zjp@jabsh.com](mailto:zjp@jabsh.com)

网站/Web: [www.jabsh.com](http://www.jabsh.com)

即时通讯/Skype: joe.chow116

即时通讯 QQ: 438389296

地址/Address: 中国, 上海浦东, 金桥开发区, 浙桥路 277 号

No.277, Zheqiao Road, Pudong district, Shanghai, China