

## JAB 002 Serie



### Features & Benefits

- Rated current: 400A/600A
- Nominal voltage: 1000V
- JAB 360° twisted strip technology
- Bayonet quick lock
- Single pole
- Plastic housing
- IP67 waterproof
- Multi color marking
- IP2X touchproof
- Mate cycles: >20,000

## Bayonet locking system



### Plugging procedure:

The markings on the plug and socket have to be lined up. Insert plug in with socket to the stop then insert further with axial pressure and turn simultaneously 1) to the right (seen from the plug in the direction of insertion) until the bayonet lock engages.

### Unplugging procedure:

Push plug in further and turn simultaneously 1) to left (seen from the plug in the direction of insertion) until the markings are lined up. Pull plug out of socket.

## JAB 360° twisted strip multi contact technology



### Feature and benefits of JAB 360° multi contact technology

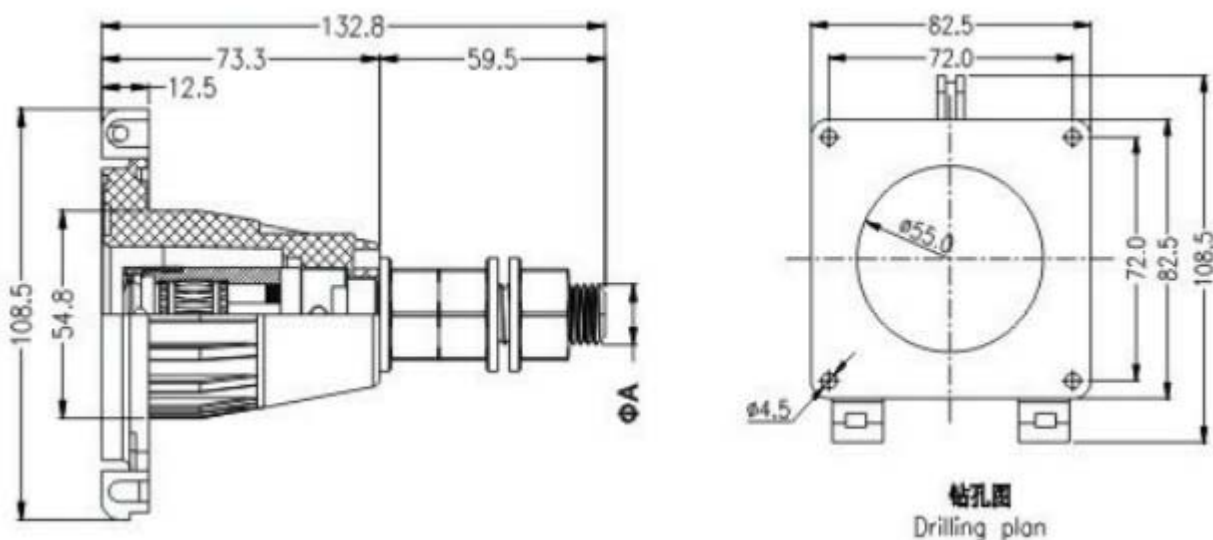
- 1) Very high contact reliability
- 2) Low contact resistance
- 3) High current load
- 4) Low temprature rise
- 5) Excellent performance under vibration
- 6) Low insertion and withdrawal force
- 7) High number of mating cycle
- 8) Long service life

## 002-400A serie

### 1.0 Benefits & feature

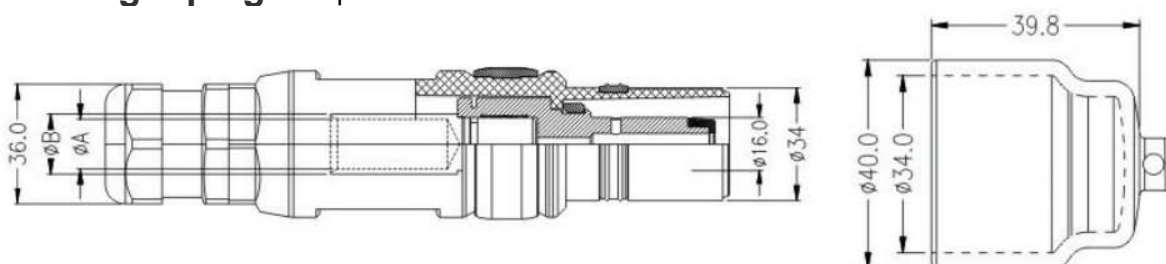
- Rated current :400A
- Norminal voltage: 1000V
- Cable cross section area: 50mm<sup>2</sup>、70mm<sup>2</sup>、95mm<sup>2</sup>、120mm<sup>2</sup>、150mm<sup>2</sup>

### 1.1 Straight receptacle /Screw termination



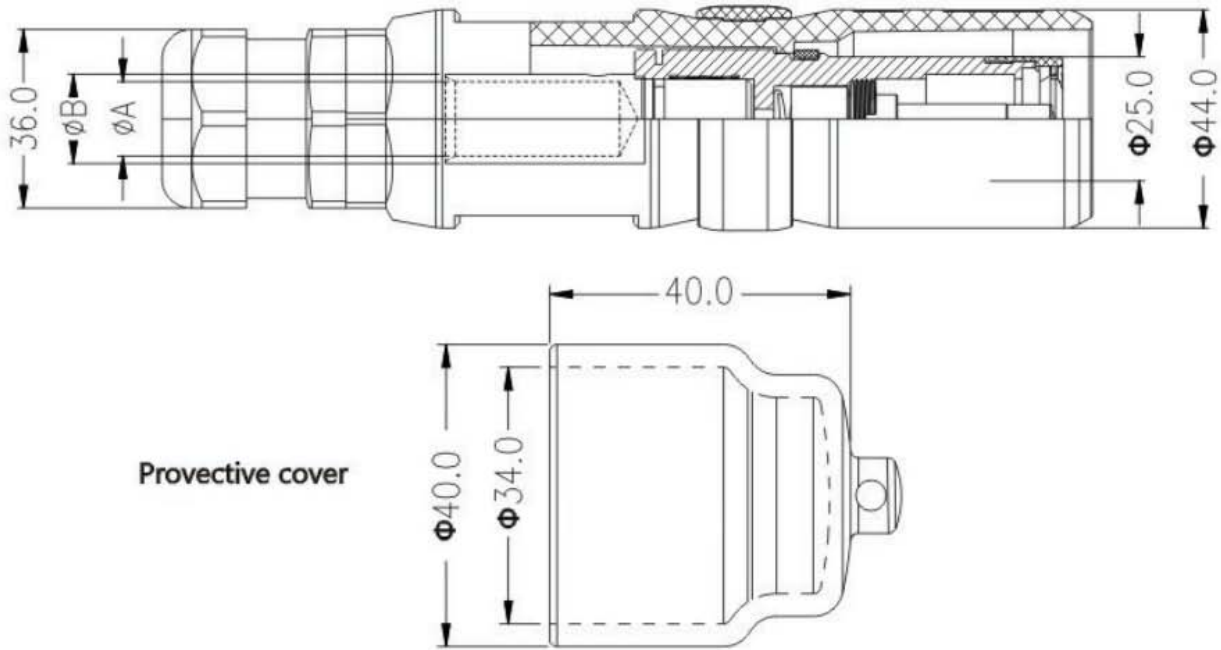
导体截面积(mm <sup>2</sup> ) Conductor cross section (mm <sup>2</sup> )	插座标称直径ΦA(mm) Nominal dia. Socket ΦA(mm)	颜色标记 coloured marking
50~70mm <sup>2</sup>	12	
95~120mm <sup>2</sup>	14	
150mm <sup>2</sup>	16	

### 1.2 Straight plug/crimp termination



导体截面积(mm <sup>2</sup> ) Conductor cross section (mm <sup>2</sup> )	压接套内径ΦA ( mm ) DimensionsΦA(mm)	压接套外径ΦB ( mm ) Dimensions ΦB(mm)	颜色标记 coloured marking
50~70mm <sup>2</sup>	12.5	17.5	
95~120mm <sup>2</sup>	16.0	21.0	
150mm <sup>2</sup>	18.0	23.0	

## 1.3 Receptacle in line/crimp termination



导体截面积(mm <sup>2</sup> ) Conductor cross section (mm <sup>2</sup> )	压接套内径 $\phi A$ (mm) Dimensions $\phi A$ (mm)	压接套外径 $\phi B$ (mm) Dimensions $\phi B$ (mm)	颜色标记 coloured marking
50~70mm <sup>2</sup>	12.5	17.5	1 2 3
95~120mm <sup>2</sup>	16.0	21.0	4 5
150mm <sup>2</sup>	18.0	23.0	

## 1.4



Color marking



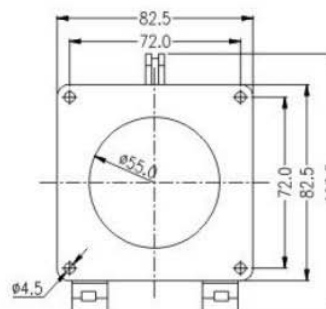
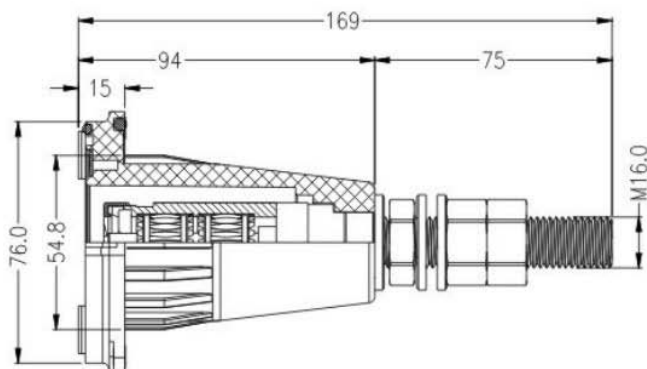
IP 67 waterproof in mated condition

## 002-600A serie

### 2.0 Benefits & feature

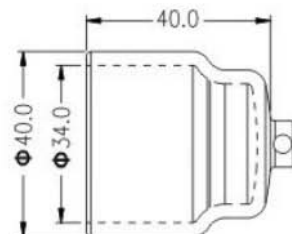
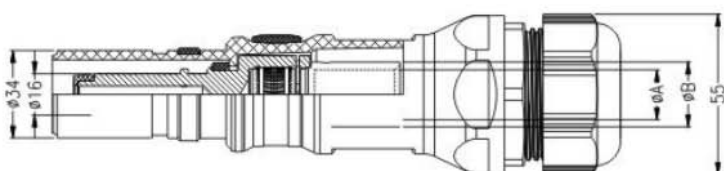
- Rated current : 600A
- Norminal voltage: 1000V
- Cable cross section area: 150mm<sup>2</sup>、185mm<sup>2</sup>、240mm<sup>2</sup>

### 2.1 Straight receptacle /Screw termination



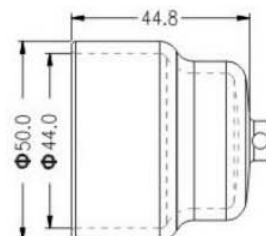
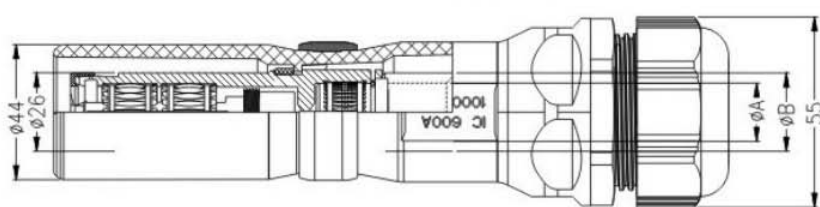
钻孔图  
Drilling plan

### 2.2 Straight plug/crimp termination



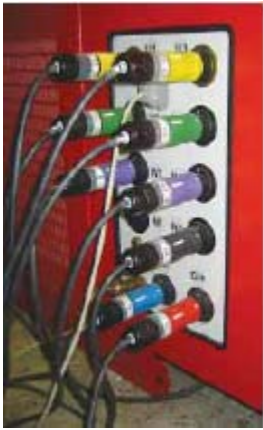
导体截面积(mm <sup>2</sup> ) Conductor cross section (mm <sup>2</sup> )	压接套内径ΦA ( mm ) DimensionsΦA(mm)	压接套外径ΦB ( mm ) Dimensions ΦB(mm)	颜色标记 coloured marking
150mm <sup>2</sup>	19.0	25.0	
185mm <sup>2</sup>	21.0	27.0	
240mm <sup>2</sup>	24.0	30.0	

### 2.3 Receptacle in line/crimp termination



导体截面积(mm <sup>2</sup> ) Conductor cross section (mm <sup>2</sup> )	压接套内径ΦA ( mm ) DimensionsΦA(mm)	压接套外径ΦB ( mm ) Dimensions ΦB(mm)	颜色标记 coloured marking
150mm <sup>2</sup>	19.0	25.0	
185mm <sup>2</sup>	21.0	27.0	
240mm <sup>2</sup>	24.0	30.0	

## Application



## Contact JAB

上海嘉铠电子科技有限公司

Shanghai JAB Electric Technology CO.,LTD

电话/Tel: +86-021-60753001

传真 Fax: +86-021-60753002

手机/Mobil: +86-13918762311

电邮/Email: [zjp@jabsh.com](mailto:zjp@jabsh.com)

网站/Web: [www.jabsh.com](http://www.jabsh.com)

即时通讯/Skype: joe.chow116

即时通讯 QQ: 438389296

地址/Address: 中国, 上海浦东, 金桥开发区, 浙桥路 277 号

No.277, Zheqiao Road, Pudong district, Shanghai, China